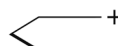


Termocuplu, Fixare cu baioneta

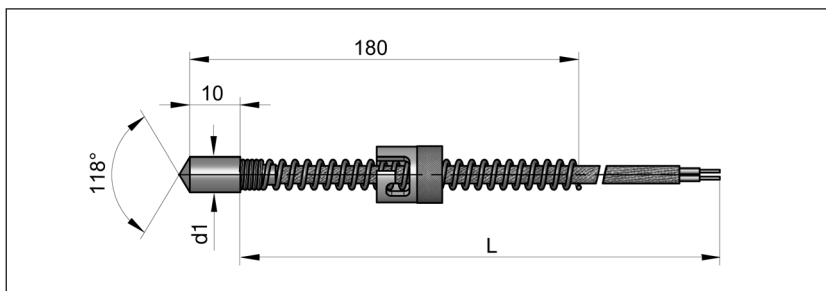
S5406/ ... (86.000.008/9)

 = Fe-CuNi, Tip J
max. 400 °C

fara conector

- Teaca de protectie din otel inoxidabil 1.4541
- Arc de fixare din otel inoxidabil
- Cablu de iesire cu izolatia din fibra de sticla, cu armatura din otel zincat

Alte dimensiuni la cerere.
Other designs on request.



Thermocouple, Connection with Bayonet

without plug

- Protection tube: stainless-steel 1.4541
- Spring: stainless-steel
- Extension cable fibreglass insulated, armouring galvanized steel wires

d1	L [mm]	Nr. / No.
6	2000	S5406/ 6x2000
8	2000	S5406/ 8x2000
	2500	2500
	3000	3000

Niplu de fixare pentru S5406

S5407/ ... (86.000. ...)

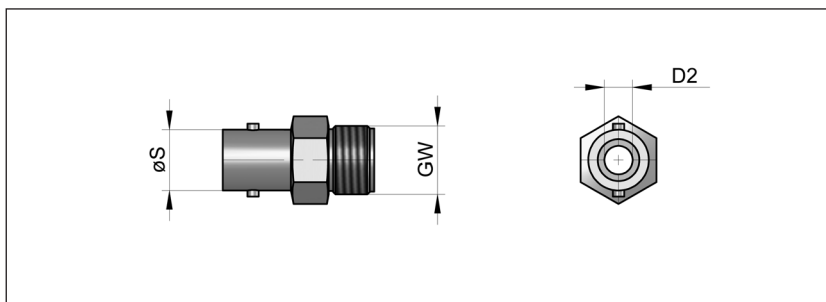
Material: Alama placata cu nichelina

Niplu rotund de fixare la cerere.

Screw-in Nipple for S5406

Material: Brass nickel-plated

Round screw-in nipple on request.



ø S5406	øS	D2	GW	Nr. / No.
6	12	6,5	M10x1	S5407/ M10x1
8	14	8,5	M12	M12
			M12x1	M12x1
			M14x1,5	M14x1,5
			R 1/4"	14
			R 3/8"	38
			R 1/2"	12