

Combinatii de incalzire-racire

Heating and cooling combinations

Tip/Type HK211 / HK212 / HK214

Aplicatii:

Incalzirea si racirea cilindrilor pe extrudare.

Application:

Heating and cooling of cylinders on extruders.

Constructie:

Carcasa exteriora realizata din tabla de aliaj de aluminiu si otel inoxidabil cu capac detasabil pentru o asamblare simpla. Flansa de montare pentru ventilator de racire (vedeti pagina 1.14 si 1.15). Constructie speciala a canalelor interne de distributie a aerului si a gaurilor de evacuare. Cutie de borne spatiosase pentru conectari electrice. Sunt disponibile cu gauri, cu piese de fixare pentru termocuple si cu decupari cu conditia ca dimensiunile sa permita.

Construction:

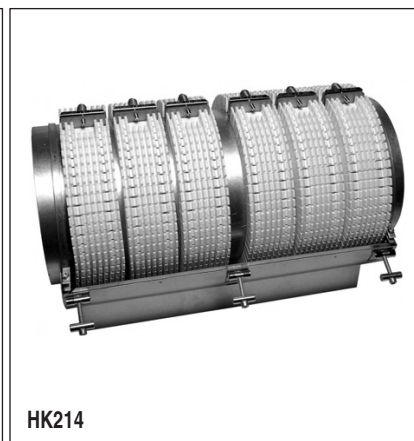
Outer casting made from aluminium alloy steel sheet or stainless steel sheet, with detachable cover for simple assembly. Mounting flange for cooling fan (see page 1.14 and 1.15). Specially designed internal air distribution channels and exhaust vents. Spacious terminal box for electrical connection. Available with bore holes, thermocouple bridges and cut outs provided that the measurements permit.

Tipuri:

- HK211:** cu rezistente de incalzire din ceramica (**KH210**) sau mica (**ZH205**).
- HK212:** cu rezistente de incalzire din ceramica (**KH210**) sau mica (**ZH205**). O suprafata de racire mai mare poate fi obtinut prin aripiore de racire speciale de cupru cu latimi de 60 si 90 mm.
- HK214:** cu rezistente - benzi (latimi: 63 sau 48 mm) produse din conductoare ceramice speciale cu aripiore de racire integrate pe partea din spate pentru o racire intensiva cu aer. Potrivit pentru temperaturi de productie ridicata.

Types:

- HK211:** with ceramic heater bands (**KH210**) or mica heater bands (**ZH205**).
- HK212:** with ceramic heater bands (**KH210**) or mica heater bands (**ZH205**). A larger cooling surface can be obtained by special copper cooling fins of 60 and 90 mm width.
- HK214:** with heater - bands (widths: 63 or 48 mm) made of high conductive special ceramic with integrated cooling fans on the backside for intensive air cooling. Suitable for high production temperature.



Nr. / No.	HK211 / HK212 / HK214	
Alimentarea: Main supply:	la cerere as required	
max T: max T:	°C	Mica/Mica: 350 Ceramic/Ceramic: 420 Aluminiu / Aluminium: 300 Ceramica speciala / Special ceramic: 600
ø min: ø min:	mm	70,0
Latime min.: Width min.:	mm	100,0
Densitatea de putere: Heating - power:	W/cm ²	max.: 7,0