

## Cutii de conectare, Tip CEE

## Plug sockets, CEE-Type

### Tip/Type KO20CEE/1

pentru conectare radiala

- Carcasa metalica
- Conector CEE incorporat
- Conector cu 3 pini
- 16A / 250V

for radial connection

- Steel housing
- Inbuild CEE-plug
- 3-pole socket
- 16A / 250V



L: 60 - B/W: 35 - H: 55 mm

### Tip/Type KO30CEE/1

pentru conectare tangetiala

- Carcasa metalica
- Conector CEE incorporat
- Conector cu 3 pini
- 16A / 250V

for tangential connection

- Steel housing
- Inbuild CEE-plug
- 3- pole socket
- 16A / 250V



L: 65 - B/W: 55 - H: 50 mm

## Cutii de conectare

## Plug Sockets

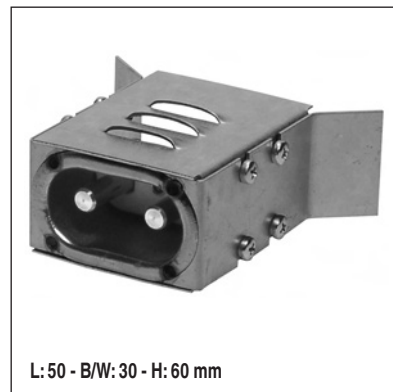
## Tip/Type KO20ST

pentru conectare radiala

- Carcasa metalica
- Conector cu 2- pini UFT incorporat
- 10A / 250V

for radial connection

- metal-housing
- inbuilt 2-pole socket UFT
- 10A / 250V



L: 50 - B/W: 30 - H: 60 mm

## Tip/Type KO21ST

pentru conectare radiala

- Carcasa metalica
- Conector extern cu 2- pini UFT
- 10A / 250V

for radial connection

- metal-housing
- external 2-pole socket UFT
- 10A / 250V



L: 50 - B/W: 30 - H: 85 mm

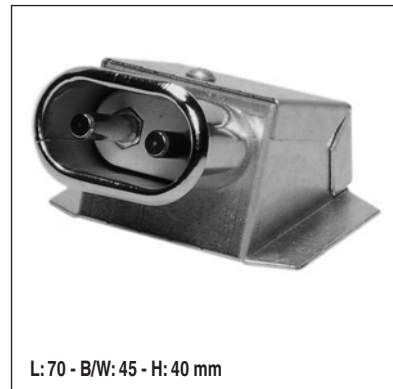
## Tip/Type KO22ST

pentru conectare axiala

- Carcasa metalica
- Conector extern cu 2- pini UFT
- 10A / 250V

for axial connection

- metal-housing
- external 2-pole socket UFT
- 10A / 250V



L: 70 - B/W: 45 - H: 40 mm

## Tip/Type KO30ST

pentru conectare tangentiala

- Carcasa metalica
- Conector extern cu 2- pini UFT
- 10A / 250V

for tangential connection

- metal-housing
- external 2-pole socket UFT
- 10A / 250V



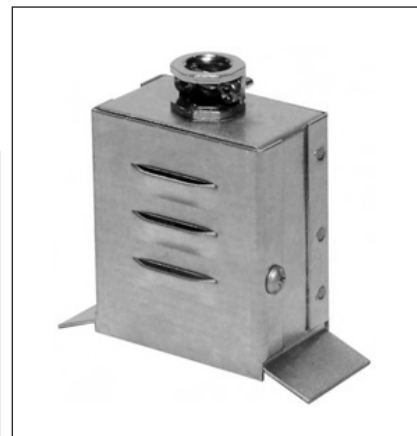
L: 100 - B/W: 50 - H: 35 mm

## Cutii de conectare

## Terminal boxes

### Tip/Type KA20V / KA21V

Nr. / No.		KA20V	KA21V
Lungime: Length:	mm	50	
Latime: Width:	mm	30	
Inaltime: Height:	mm	55	80



pentru conectarea radiala

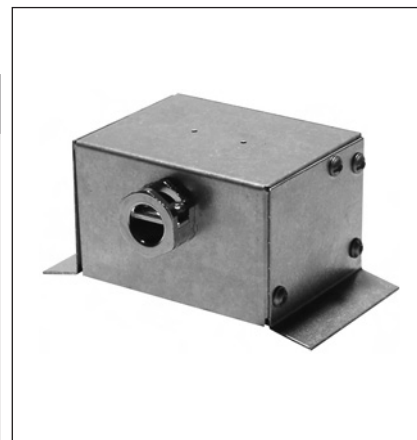
- carcasa metalica
- cu clema cablu PG9 (KA20V),  
cu clema cablu PG11 (KA21V)
- bloc terminal Tip 537/2 inclus
- 16A / 250V

for radial connection

- metal-housing
- with cable clamp PG9 (KA20V),  
with cable clamp PG11 (KA21V)
- terminal block Typ 537/2 included
- 16A / 250V

### Tip/Type KA50V

Nr. / No.		KA50V
Lungime: Length:	mm	80
Latime: Width:	mm	45 / 60 / 75 / 90 / 105 / 120
Blocuri terminale: Terminal blocks:	buc./pcs.	3 / 3 / 3 / Variabil / Variable
Inaltime: Height:	mm	50



pentru conectarea axiala

- carcasa metalica
- cu clema cablu PG11
- bloc terminal Tip 535, 3-poli, pana la latimea 75 mm  
inclus. Pentru latimi de la 90 mm se comanda separat!
- 30A / 250V

for axial connection

- metal-housing
- with cable clamp PG11
- terminal block Typ 535, 3-pole, up to widths 75 mm  
included. From widths 90 mm to be ordered separate!
- 30A / 250V

## Cutii de conectare

## Terminal boxes

## Tip/Type KA30V / KA31V

Nr. / No.		KA30V	KA31V
Lungime: Length:	mm	65	75
Latime: Width:	mm	50	
Inaltime: Height:	mm	35	



pentru conectarea tangentiala

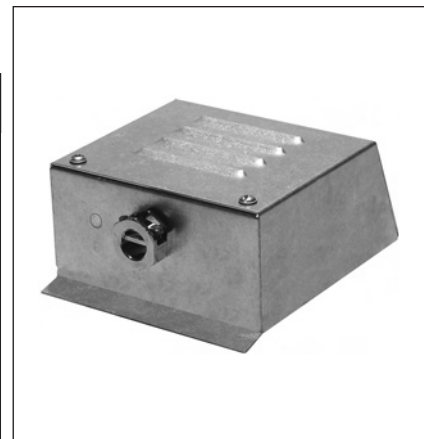
- carcasa metalica
- cu clema cablu PG9 (KA30V),  
cu clema cablu PG11 (KA31V)
- bloc terminal Tip 537/2 inclus (se comanda separat)
- 16A / 250V

for tangential connection

- metal-housing
- with cable clamp PG9 (KA30V)  
with cable clamp PG11 (KA31V)
- terminal block Typ 537/2 (to be ordered separate)
- 16A / 250V

## Tip/Type KA41V

Nr. / No.		KA41V
Lungime: Length:	mm	100
Latime: Width:	mm	50 / 75 / 100 / 150 / 200
Blocuri terminale: Terminal blocks:	buc./pcs.	2 / 3 / 4 / 6 / 9
Inaltime: Height:	mm	50



pentru conectarea tangentiala

- carcasa metalica
- cu clema cablu PG9, PG11, PG13.5, sau PG16
- bloc terminal Tip 535 (se comanda separat)
- 30A / 250V / 380V

for tangential connection

- metal-housing
- with cable clamp PG9, PG11, PG13.5, or PG16
- terminal block Typ 535 (to be ordered separate)
- 30A / 250V / 380V