

Conector industrial multipin 16 -pini (16A)

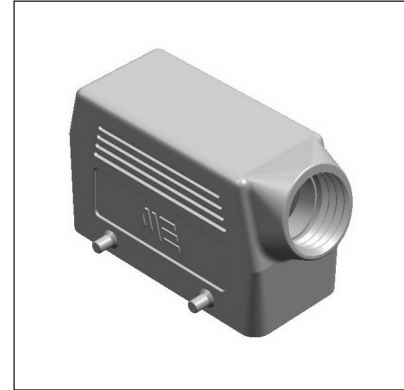
Tip/Type CIM 16

Carcasa

- 16x16A (16P+E)
- Grad de protectie IP 65
- 380-415V / 50-60 Hz
- Inel de fixare (presetupa):
PG 21

Hood

- 16x16A (16P+E)
- Degree of protection IP 65
- 380-415V / 50-60 Hz
- Fixing ring:
PG 21



Tip/Type SIM 16

Soclu

- 16x16A (16P+E)
- Grad de protectie IP 65
- 380-415V / 50-60 Hz

Plug

- 16x16A (16P+E)
- Degree of protection IP 65
- 380-415V / 50-60 Hz



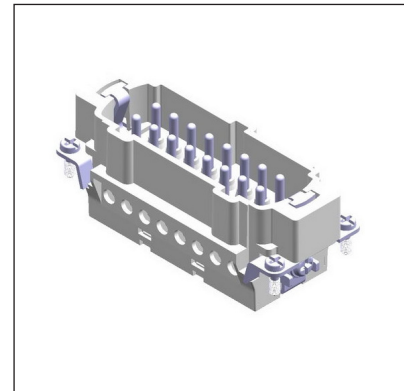
Tip/Type IT 16

Insertie tata

- 16x16A (16P+E)
- Grad de protectie IP 65
- 380-415V / 50-60 Hz

Male insert

- 16x16A (16P+E)
- Degree of protection IP 65
- 380-415V / 50-60 Hz



Tip/Type IM 16

Insertie mama

- 16x16A (16P+E)
- Grad de protectie IP 65
- 380-415V / 50-60 Hz

Female insert

- 16x16A (16P+E)
- Degree of protection IP 65
- 380-415V / 50-60 Hz

