

Rezistenta spiralata, 1,8 mm, rotund

Coil Heater, 1,8 mm, round

S5130/ . . . (WRP 10)

Specificatii tehnice:

Material: CrNi-Otel
Lungime totala: 340 - 1400 mm (in stare dreapta)
Lungime incalzita: 250 - 1310 mm (in stare dreapta)
Zona neincalzita: 65 mm, + capat conectare: 25 mm
Tensiune: 230 V
Putere: 195 - 950 W

- disponibil numai fara termocuplu (Fe-CuNi)

Modele spirale:

- Lungimi 20-200 mm
- Diametru interior: 6 - 50 mm

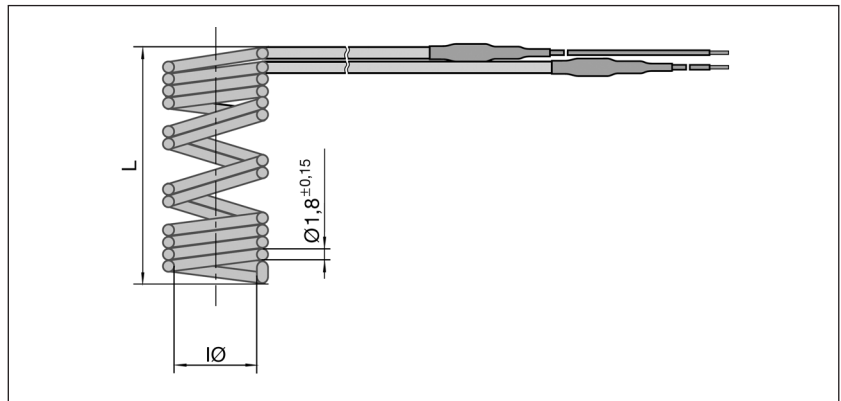
Technical specifications:

Material: CrNi-Steel
Total length: 340 - 1400 mm (straight)
Heated length: 250 - 1310 mm (straight)
Unheated zone: 65 mm, +connection head: 25 mm
Voltage: 230 V
Wattage: 195 - 950 W

- available only without thermocouple (Fe-CuNi)

Coiled design:

- Length 20 - 200 mm
- Internal diameter: 6 - 50 mm



Dimensiuni standard disponibile :

Standard design available:

Ø: [mm]	L: [mm]	Watt / 230 V:
8	30 - 40	120
8	40 - 60	160
8	60 - 80	250
10	30 - 40	140
10	40 - 60	200
10	60 - 80	300
12	30 - 40	160
12	40 - 60	230
12	60 - 80	350
16	30 - 50	210
16	40 - 70	300
19	30 - 50	250
19	40 - 70	450

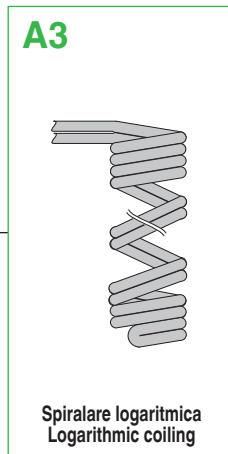
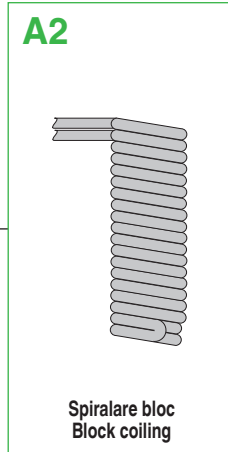
Rezistenta spiralata,
1,8 mm, rotund

Coil Heater,
1,8 mm, round

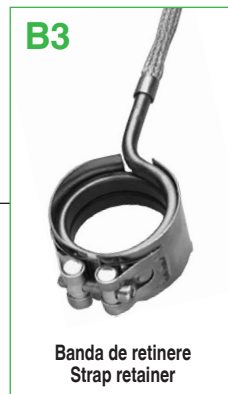
S5130/ ... (WRP 10)



Tipul spiralei
Type of coiling



Teaca
Jacket

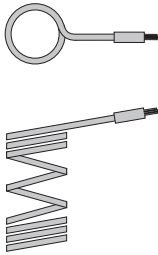


Rezistenta spiralata,
1,8 mm, rotund

Coil Heater,
1,8 mm, round

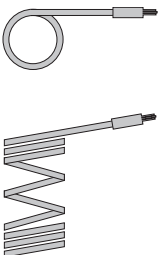
Tipuri de iesiri
Exit variations

C1



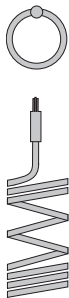
radial

C2



tangential

C3



axial

Tipuri de cabluri
si optiuni de conectare

Lead types
and connection options

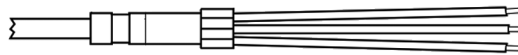
D1



Capete unice

Single heads

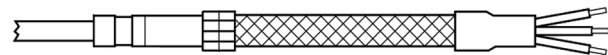
D2



Capat comun
cu conductor de impamantare (tip N)

Common head
with ground conductor (Type N)

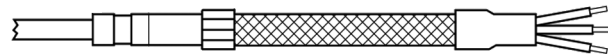
D3



Capat comun cu conductor de impamantare
si manson GLS (Tip NG)

Common head with ground conductor
and GLS-sleeve (Type NG)

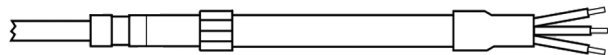
D4



Capat comun cu conductor de impamantare
si manson metalic impletit (Tip ND)

Common head with ground conductor
and metal braided sleeve (Type ND)

D5



Capat comun cu conductor de impamantare
si manson PTFE (Tip NT)

Common head with ground conductor
and PTFE-sleeve (Type NT)

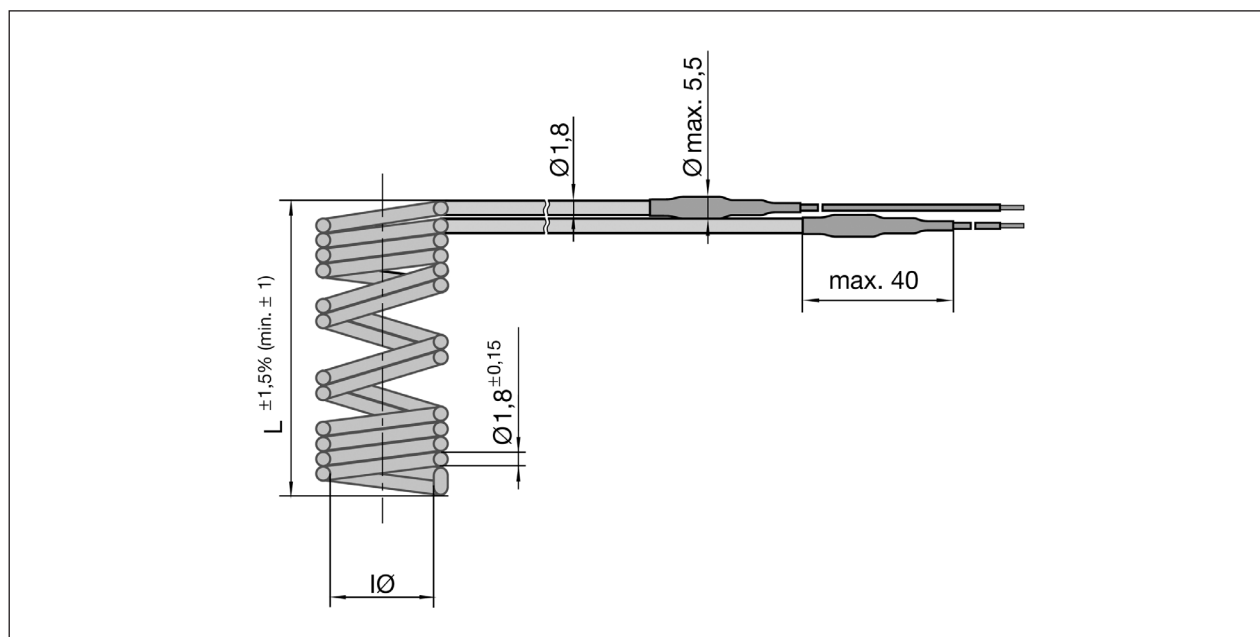
**Rezistenta spiralata,
1,8 mm, rotund**
LA CEREREA CLIENTULUI
**Coil Heater,
1,8 mm, round**
CUSTOM MADE

Formular comanda		Order form	
Firma/Company _____			
Persoana contact/Contact _____			
Tel.: _____	Fax: _____	Data/Date: _____	
<input type="checkbox"/> Comanda/Order	Nr./No.: _____	<input type="checkbox"/> Cerere oferta/Quotation	

Specificatii comanda:
n: Cantitatea
Nr.: S5130

IØ: Diametru interior-Ø (6 - 50 mm)
L: Lungime spirala (20 - 200 mm)
A: Tipul spiralei (3.08 A1-3)
B: Teaca (3.08 B1-4)
C: Tipuri de iesiri (3.09 C1-3)
D: Optiuni de conectare (3.09 D1-5)

Order specifications:
n: Quantity
No.: S5130

IØ: Internal-Ø (6 - 50 mm)
L: Coiled length (20 - 200 mm)
A: Type of coiling (3.08 A1-3)
B: Jacket (3.08 B1-4)
C: Exit variations (3.09 C1-3)
D: Connection options (3.09 D1-5)


Alte dimensiuni pentru rezistentele spiralate se pot furniza la cerere.

Other designs of coil heaters can be supplied on request.

n	Nr. / No.	IØ [mm]	L [mm]	A	B	C	D
	S5130 /	X	X	X	X	X	X
	S5130 /	X	X	X	X	X	X
	S5130 /	X	X	X	X	X	X
	S5130 /	X	X	X	X	X	X
	S5130 /	X	X	X	X	X	X