

Rezistenta imersie cu flansa

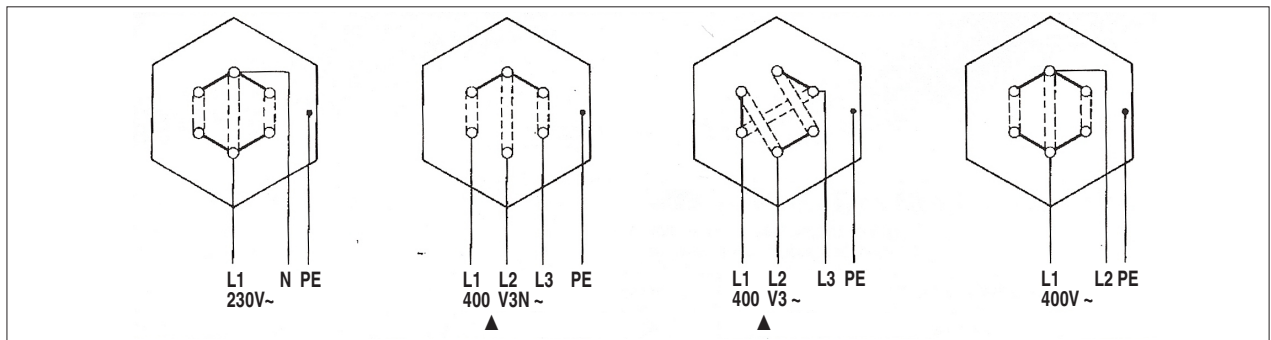
ERCT/...

Rezistentele imersie cu flansa sunt potrivite pentru calefactia directa a diferitelor lichide. Elementele de incalzire sunt fabricate ca componente gata pentru a fi instalate, cu sau fara termostate si limitatoare de temperatura. Rezistentele imersie cu flansa se aplica in:

- Aparate cu apa calda
- Bai purificatoare
- Preincalzitoare ulei
- Incalzitoare de aer
- Regeneratoare de caldura
- Bai de degresare
- Rezervoare de presiune

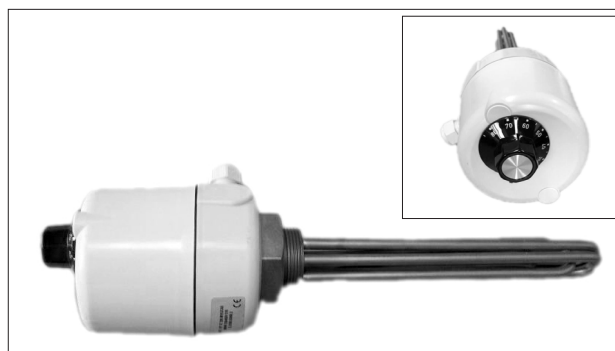
Rezistentele imersie cu flansa sunt fabricate cu trei elemente de incalzire tubulare, fiind lipite intr-o flansa filetata de alama.

Rezistentele imersie cu flansa pot fi conectate la tensiunea de alimentare in urmatoarele moduri:

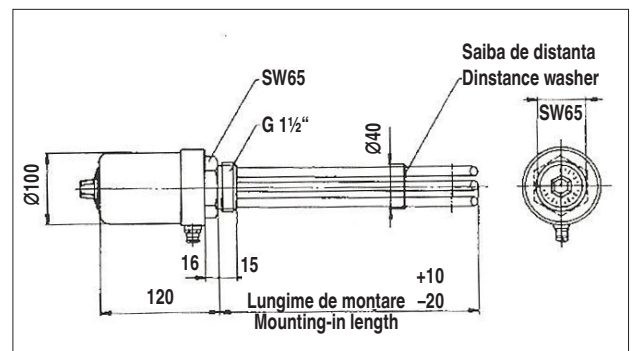


| Tip / Type | | ERCT/20 | ERCT/25 | ERCT/35 | ERCT/45 | ERCT/65 | ERCT/65 | ERCT/80 |
|---|-------------------|----------|---------|---------|---------|---------|---------|---------|
| Lungimea de montare Mounting-in length | mm | 200 | 250 | 350 | 450 | 650 | 650 | 800 |
| Tensiune Voltage | V | 400 V3N~ | | | | | | |
| Putere Wattage | W | 1500 | 2000 | 3000 | 4500 | 6000 | 9000 | 9000 |
| Densitatea de putere Surface load | W/cm ² | 5,9 | 6,0 | 6,0 | 6,9 | 6,2 | 9,2 | 7,4 |

Cu termostat reglabil 0-85 °C
Grad de protectie IP 65



With thermostat 0-85 °C
Protective system IP 65



Screw-In Type Heating Element

The screw-in type heating elements are suitable for direct calefaction of various liquids. The heating elements are manufactured as components ready to be installed with or without thermostats and temperature limiters respectively. The screw-in type heaters are applied in:

- Hot water apparatus
- Purifying baths
- Oil preheaters
- Air heaters
- Heat regenerators
- Degreasing baths
- Pressure reservoir

The screw-in type heating elements are fundamentally fabricated with three tubular heating elements, being soldered in a threaded brass joint.

The screw-in type heating elements can be connected to the following operating voltages: