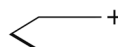


Termocuplu

S5430/ 1 (86.000.024)

 = Fe-CuNi, Tip J
max. 400 °C

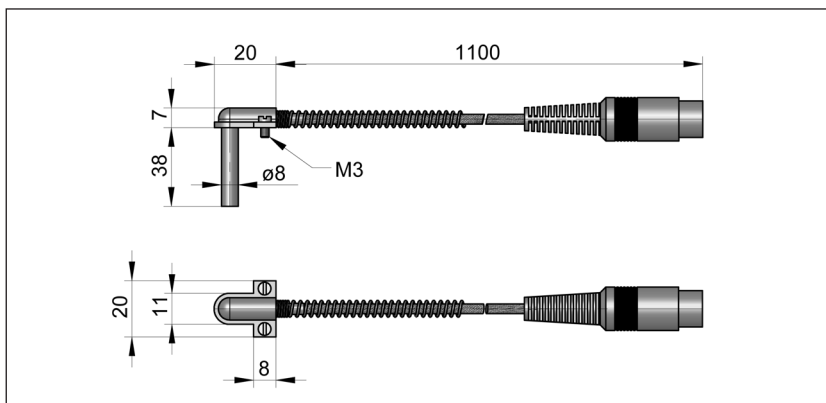
cu conector tip dioda cu 4-pini
Cablul termocuplu: 1

Nr. / No.
S5430/ 1

Alte dimensiuni la cerere.

Thermocouple


with 4-pin diode plug
Thermocouple wire: 1



Other designs on request.

Termorezistenta

S5431/ 1 (86.000.065)

 = 2 x PT 50
max. 400 °C

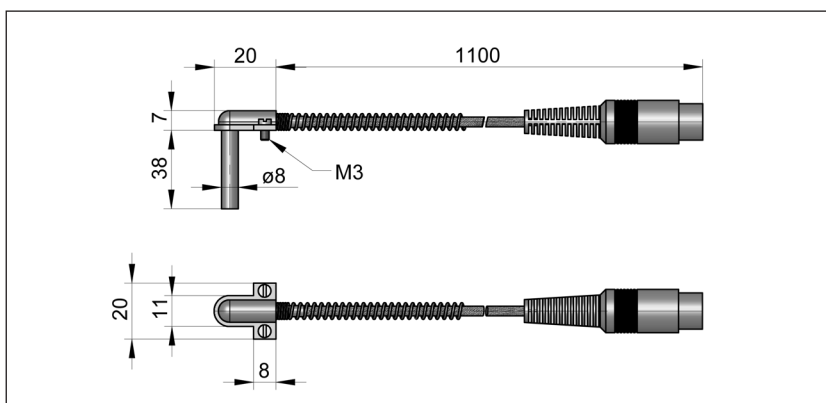
cu conector tip dioda cu 4-pini
Cablul termocuplu: 2

Nr. / No.
S5431/ 1

Alte dimensiuni la cerere.

Resistance thermocouple

with 4-pin diode plug
Thermocouple wires: 2



Other designs on request.