

Inel date, Ani

Date Ring, Years

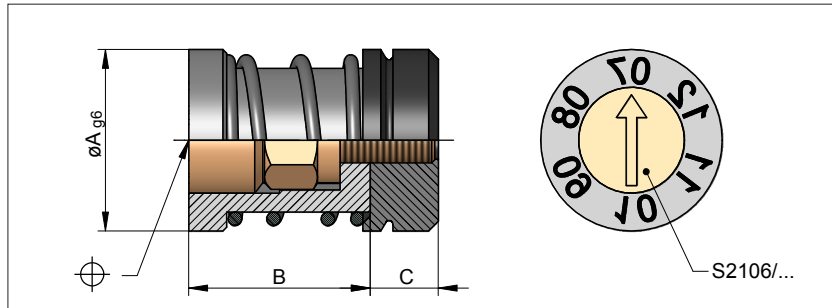
S2103/ ...

Material: 1.4021 / 50 - 55 HRc
Nici o miscare axiala a insertiei in timpul montarii
Insertia **S2106** trebuie comandata separat.

Material: 1.4021 / 50 - 55 HRc
No axial movement of insert during adjustment
Insert **S2106** must be ordered separately.

* Pentru **Instructiuni de montare**: vedeti pagina 6.01

* For **Mounting instructions** ref. to page 6.01



A	B	C	D*	Nr. / No.
6	7	3	10	S2103/ 6
8	8	4	12	8
10	10		14	10
12				12
16				16

Inel date, Zile

Date Ring, Days

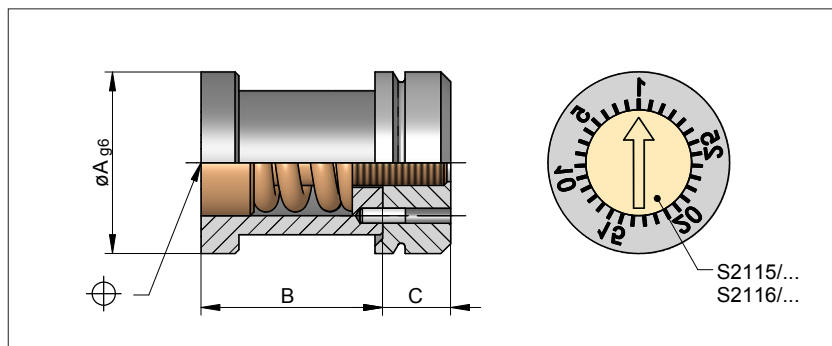
S2110/ ...

Material: 1.4021 / 50 - 55 HRc
Miscare axiala a insertiei in timpul montarii:
max. 0,35 mm
Insertiile **S2115** si **S2116** trebuie comandate separat.

Material: 1.4021 / 50 - 55 HRc
Axial movement of insert during adjustment
max. 0,35 mm
Inserts **S2115** and **S2116** must be ordered separately.

* Pentru **Instructiuni de montare**: vedeti pagina 6.01

* For **Mounting instructions** ref. to page 6.01



A	B	C	D*	Nr. / No.
10	10	4	14	S2110/ 10
12				12
16				16