

Inel date, Luni

Date Ring, Months

S2130/ ... (CLM- ...)

Material: 1.4021 / 50 - 55 HRc

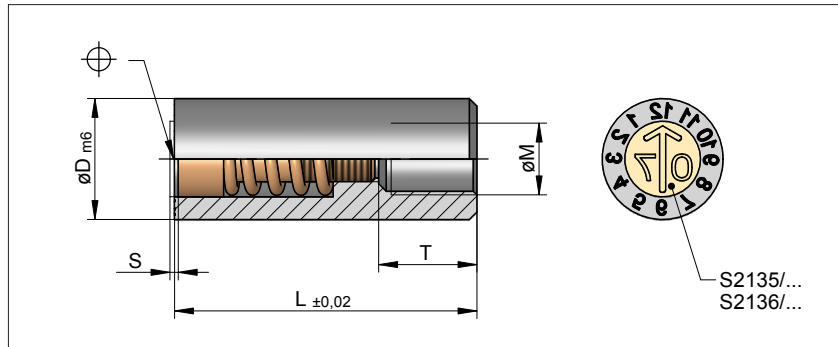
Material: 1.4021 / 50 - 55 HRc

Insertiile **S2135** si **S2136** trebuie comandate separat.

Inserts **S2135** and **S2136** must be ordered separately.

S = miscare axiala maxima

S = max. axial movement



D	L	M	T	S	Nr. / No.
5	17	M3	3,5	0,20	S2130/ 5
6					6
8					8
10	20	M4	4	0,35	10
12		M5			
12	25	M6	6	0,50	12
16	33	M8	8	0,60	16

Dimensiuni de instalare:

Fitting dimensions:

