

Cuplaj rapid, drept, pentru montare furtun

Quick-Release Coupling, Straight, with Hose Fitting

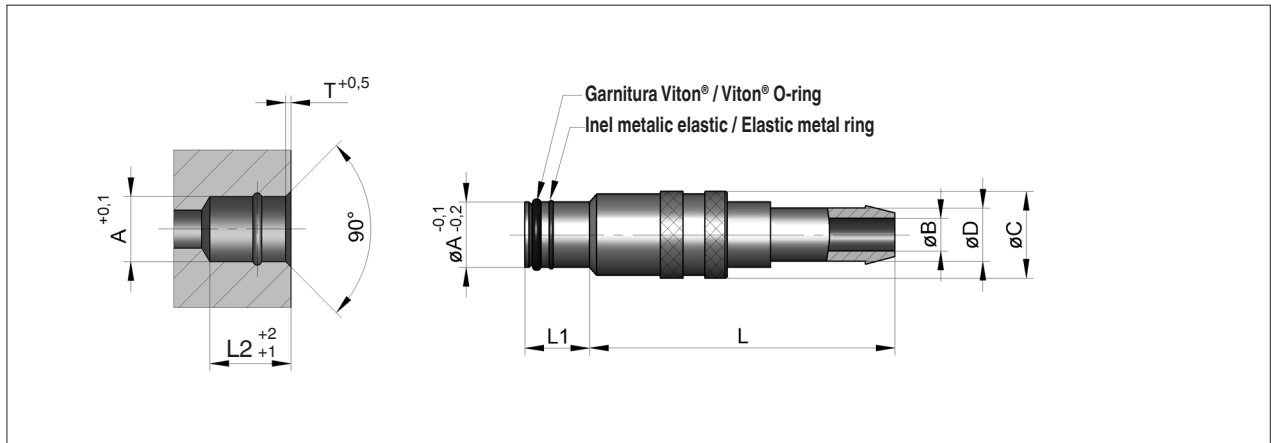
S3130/ ... (AR ...)

Material: Alama, placat cu nichelina
T_{max.}: 120 °C

Material: Brass, nickel plated
T_{max.}: 120 °C

Pentru instrumente
vedeti paginile de la 7.35 pana la 7.45

For toolings
refer to pages 7.35 up to 7.45



Set instrumente Tool set	A	B	C	D	T	L	L1	L2	Nr. / No.
S3173/ 12	12	6	16	10	1	57	12	14	S3130/ 12
16	16	9	19	13		60	12,5	15	16
20	20	13	24	20		68	13,5	16,5	20

Cuplaj rapid, drept, cu filet interior

Quick-Release Coupling, Straight, with Internal Thread

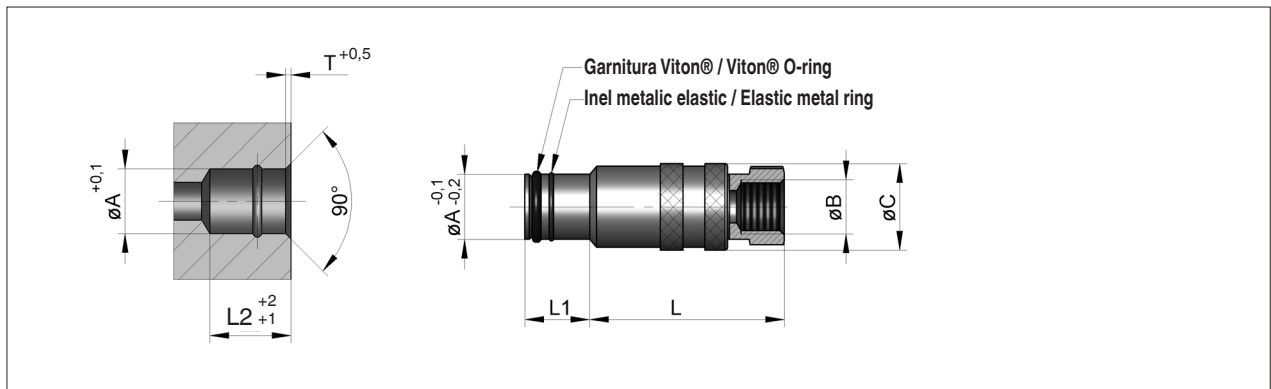
S3131/ ... (AR ...)

Material: Alama, placat cu nichelina
T_{max.}: 120 °C

Material: Brass, nickel plated
T_{max.}: 120 °C

Pentru instrumente
vedeti paginile de la 7.35 pana la 7.45

For toolings
refer to pages 7.35 up to 7.45



Set instrumente Tool set	A	B	C	T	L	L1	L2	Nr. / No.
S3173/ 12	12	G1/8	16	1	37	12	14	S3131/ 12
16	16	G1/4	19		40	12,5	15	16
20	20	G1/2	24		50	13,5	16,5	20