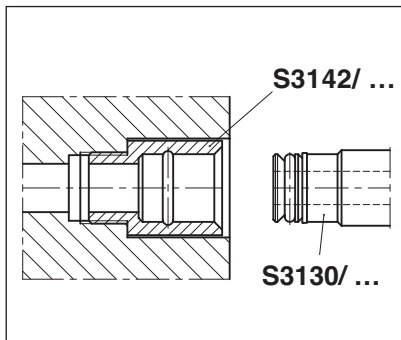


Adaptor

S3142/ ... (AR ... R ...)

Material: Alama, placat cu nichelina

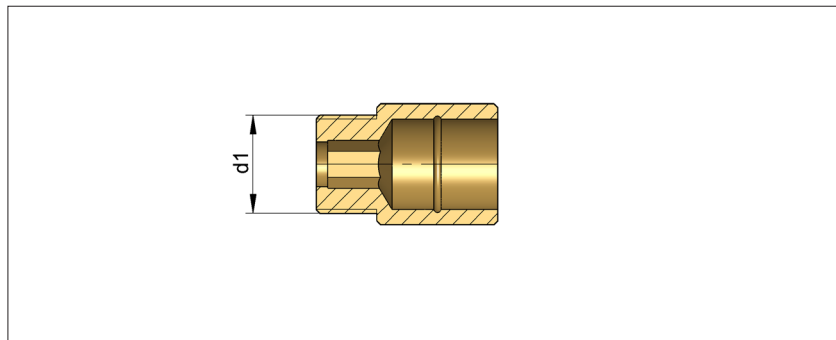
Echiparea ulterioara a componentelor WEMA in matrite cu elemente de racire, cu niplu sau cuplaje.



Fitting Ports

Material: Brass, nickel plated

For retrofitting of the WEMA-cooling system into moulds having commonly known nipple/coupling cooling system.



pentru cuplaje rapide for quick-release couplings	d1	Nr. / No.
S3130/S3131/ 12	G 1/4 A	S3142/ 12 x 1/4
S3130/S3131/ 16	G 3/8 A	16 x 3/8
S3130/S3131/ 20	G 1/2 A	20 x 1/2