

Furtunuri

S3503/ ... (TSL ...)

Material: Viton®

Culoare: T = transparent
R = rosu
B = albastru

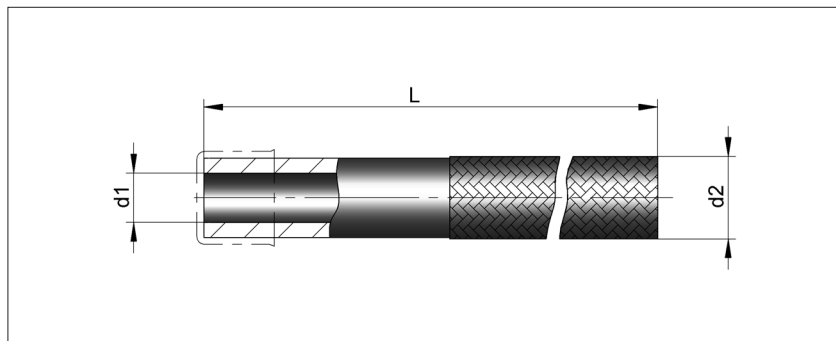
In caz de comanda,
va rugam atasati culoarea dorita la numarul de comanda.

Hose

Material: Viton®

Color: T = transparent
R = red
B = blue

When ordering,
please attach the color to the order number.



L [m]	d1	d2	p [bar] la/at 20 °C	Nr. / No.
25	9	15	15	S3503/ 9 x .
	13	19		13 x .

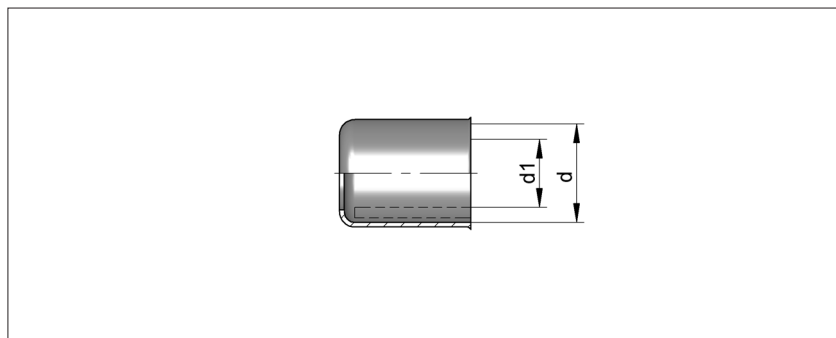
Inel sertizare

S3510/ ...

Material: Otel

Crimping sleeve

Material: Steel



d	d1	Nr. / No.
15	9	S3510/ 9 x 15
16		16
18		18
19	13	S3510/ 13 x 19
20		20
23		23
29	19	S3510/ 19 x 29