

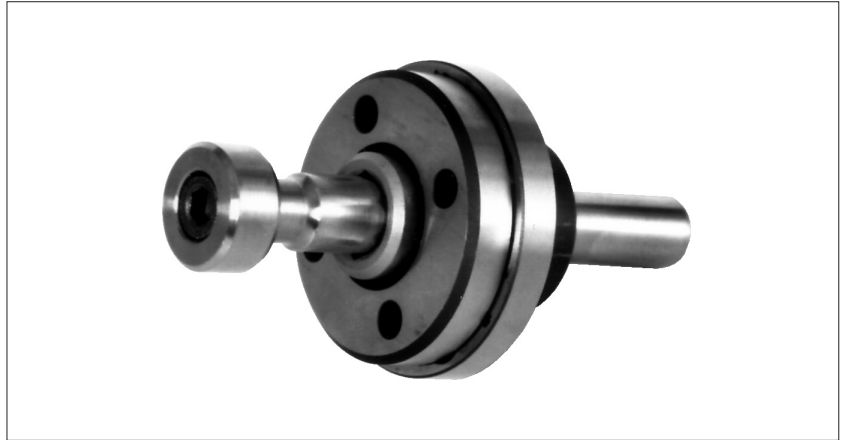
Dispozitiv de aruncare in doua trepte

INFO

S6255/ ... (AS ...)

Two Stage Ejector Device

INFO



Caracteristici:

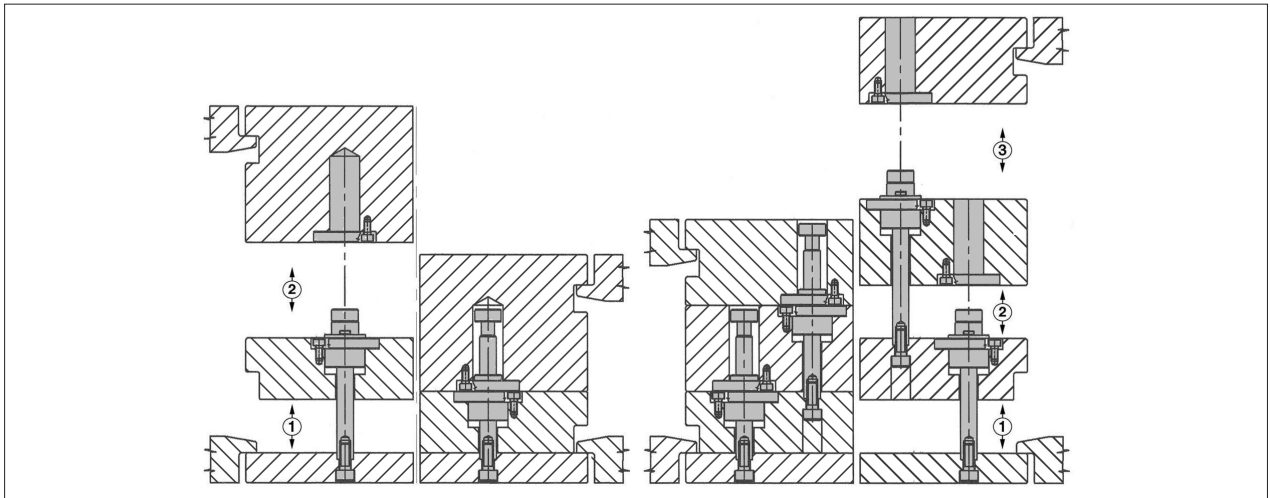
- Instalare usoara
- Aplicatii multiple
- Blocarea placii dupa aruncare
- Fara limitare cursa

Characteristics

- Easy installation
- Versatility of application
- Blocking of the ejector plate after the ejection
- No limitation of stroke

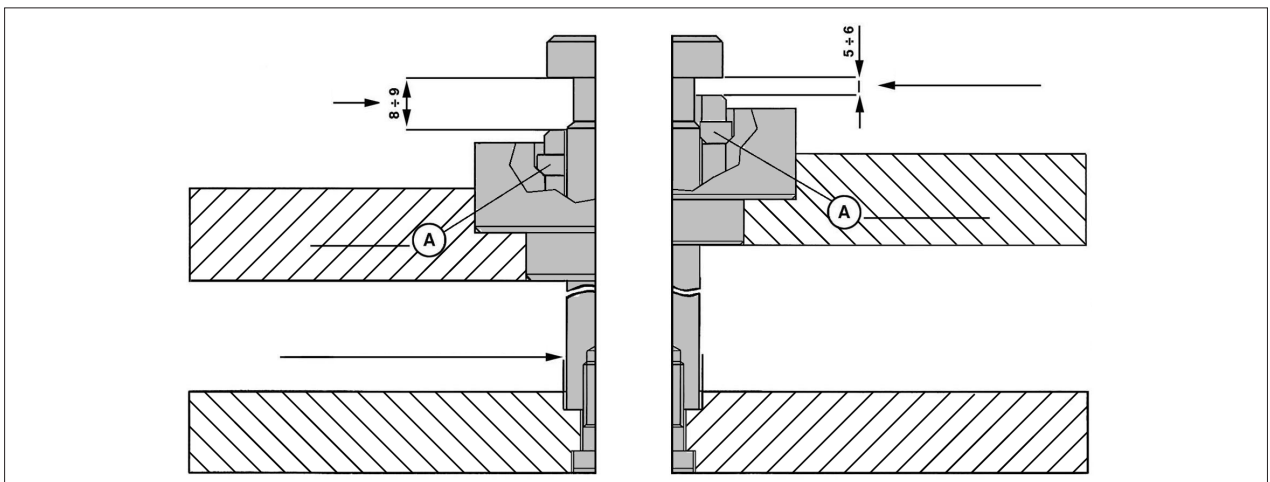
Exemple de aplicare:

Application examples:



Informatii de constructie:

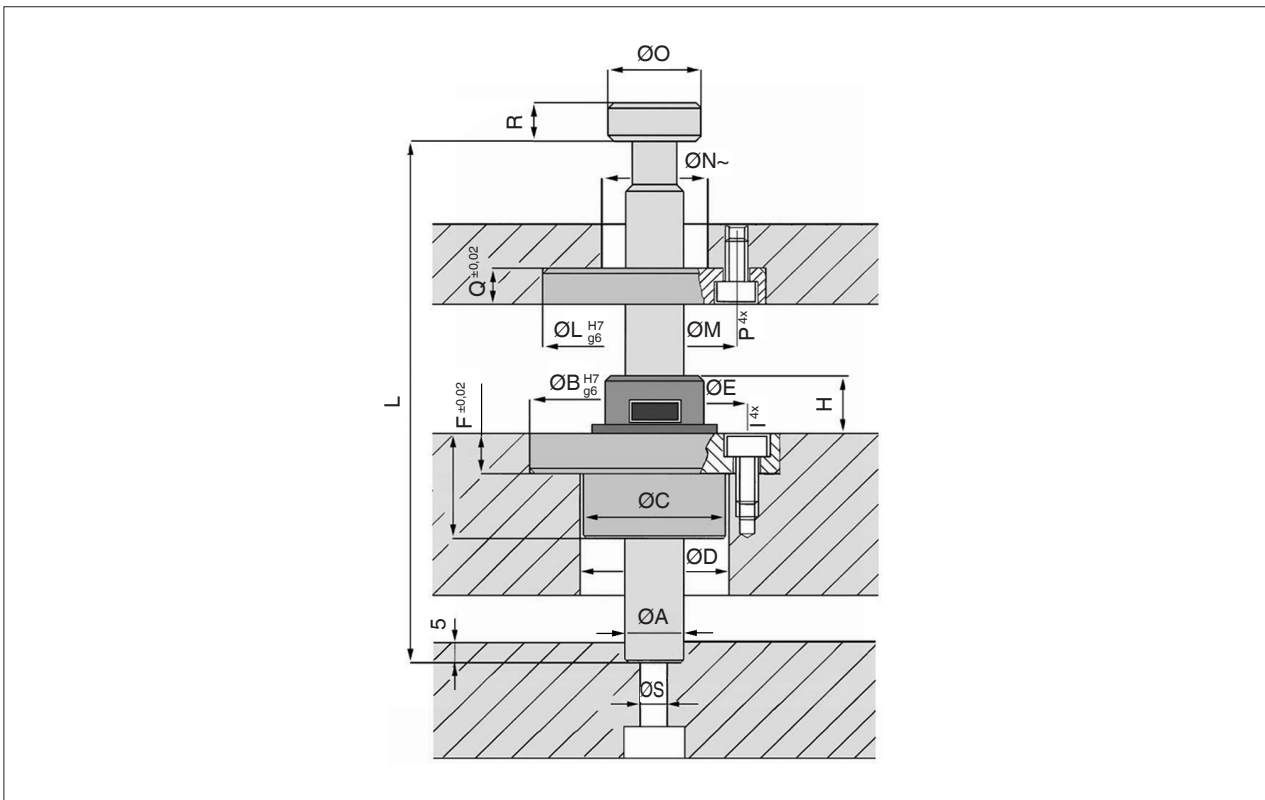
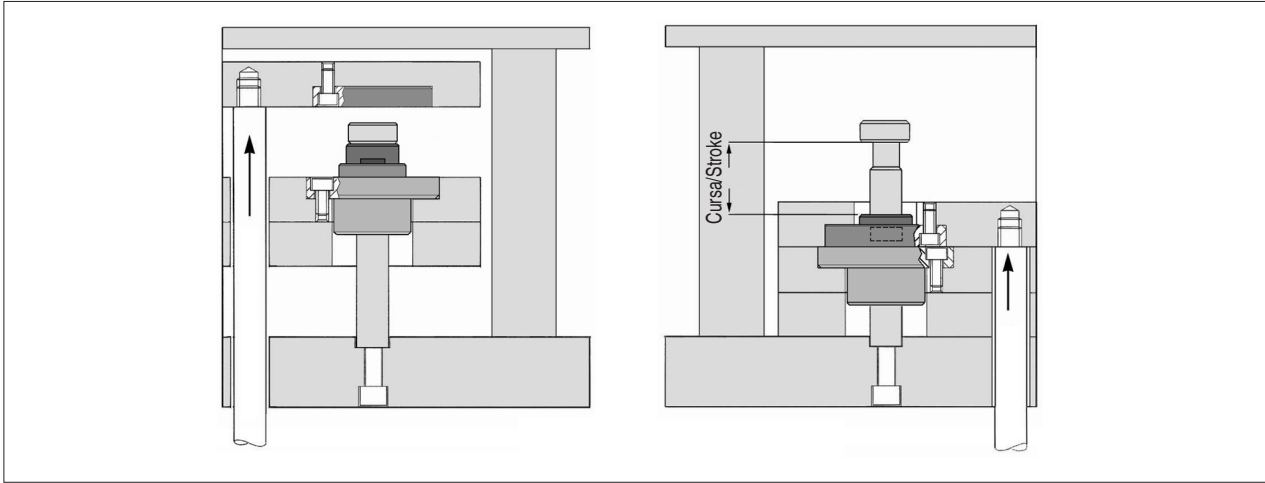
Designer information:



Dispozitiv de aruncare in doua trepte

Two Stage Ejector Device

S6255/ ... (AS ...)



øA	øB	øC	øD	øE	F	G	H	I	L	Nr. / No.
12	50	29	29,5	38	8	21,5	12	M5	100	S6255/ 12 x 100
									200	200
16	70	41	41,5	52	13	28	17	M8	100	16 x 100
									200	200

øL	øM	øN	øO	P	Q	R	øS	K	Nr. / No.
46	33	22	19,5	M5	8	9	M8	100	S6255/ 12 x 100
									200
70	52	33	29	M8	13	12	M10	300	16 x 100
									200

K = forta de tragere max. [kg]

K = max. pulling force [kg]