

**Aruncator inclinat,  
UniLifter®**

## INFO

**S6370/ ... (CBMM ...), S6371/ ... (CBS ...)**

Aruncator inclinat, Forma patrata

**S6372/ ... (CBMM ...), S6373/ ... (CBS ...)**

Aruncator inclinat, Forma rotunda

**S6374/ ... (UCMM ...), S6375/ ... (UC ...)**

Racord tip U pentru aruncator inclinat

**S6376/ ... (TGMM ...), S6377/ ... (TG ...)**

Bara de ghidare tip T pentru aruncator inclinat

**Core blade,  
UniLifter®**

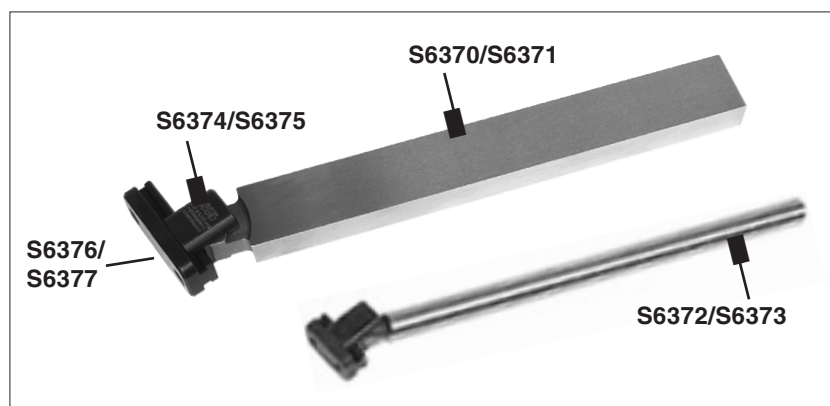
## INFO

Slanted Ejector, Square Design

Slanted Ejector, Round Design

U-Coupling, for Slanted Ejector

T-Guide Bar, for Slanted Ejector

**Inclus in pachet:**

1. Aruncator inclinat
2. Racord tip U
3. Bara de ghidare tip T

Va rugam comandati fiecare componenta separat!

**Delivery includes:**

1. Core blade
2. U-coupling
3. T-guide bar

Please order each component separately!

**Cereri pentru aplicatie:**

1. Unghiul specific este de 5-10°, desi utilizatorii au instalat cu succes si cu unghiuri mai mari. Contactati departamentul tehnic pentru analiza aplicatiei.
2. Este recomandata folosirea aruncatoarelor cu ghidaj, si daca este mai putin de jumătate a aruncatorului inclinat in insertie, trebuie adaugata o placa de ghidaj suplimentar.
3. Jocul recomandat este de 0,025 pana 0,038 mm, unde este permis.
4. Verificati daca materialul insertiei miezului este de cel puțin 10 HRc, diferit fata de aruncatoarele inclinate standard, si pentru performante suplimentare, se pot aplica straturi si tratamente pentru o duritate mai mare si lubrifiere mai buna.
5. Unghiurile de inchidere pot fi proiectate pentru a suporta presiunea de injectie si dimensiuni non-standard sau aruncatoare inclinate subtiate pot fi deasemenea furnizate.

**Application Guidelines:**

1. Typical angle is 5-10°, though users report success at greater angles with guides installed. Contact engineering department for application review.
2. Guided ejection is recommended, and if there is less than half of the core blade bearing in the insert, lifter guide plates should be added.
3. Recommended clearance is 0,025 – 0,038mm, where permissible.
4. Verify that the core insert material is at least 10 HRc different from standard core blades, and for additional performance, consider coatings or treatments for increased hardness or lubricity.
5. Locking angles can be designed to accept moulding pressure, and non-standard sizes or pre-roughed core blades can also be provided.

**Aruncator inclinat,  
UniLifter®**

## INFO

**S6370/ ... (CBMM ...), S6371/ ... (CBS ...)**

Aruncator inclinat, Forma patrata

**S6372/ ... (CBMM ...), S6373/ ... (CBS ...)**

Aruncator inclinat, Forma rotunda

**S6374/ ... (UCMM ...), S6375/ ... (UC ...)**

Racord tip U pentru aruncator inclinat

**S6376/ ... (TGMM ...), S6377/ ... (TG ...)**

Bara de ghidare tip T pentru aruncator inclinat

**Core Blades,  
UniLifter®**

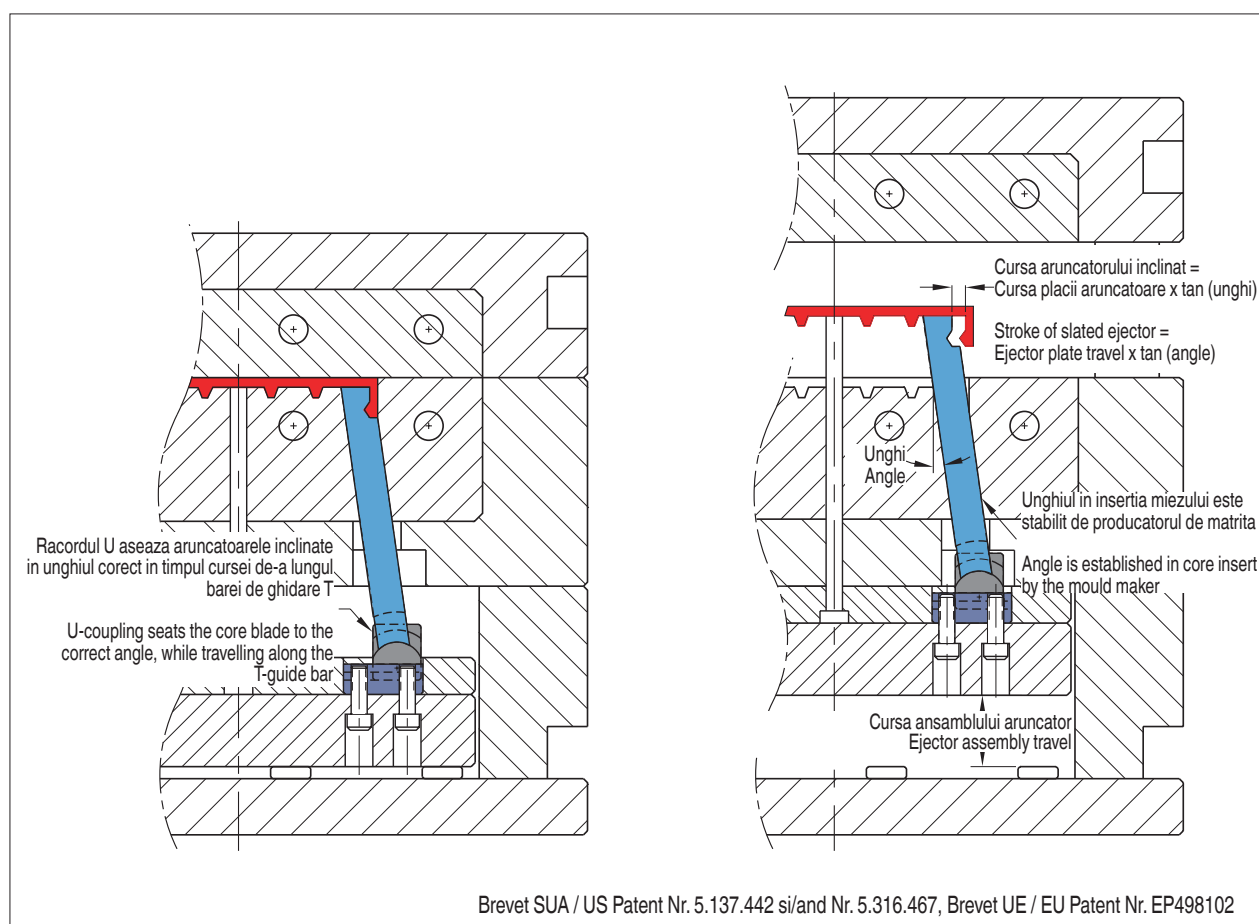
## INFO

Slanted Ejector, Square Design

Slanted Ejector, Round Design

U-Coupling for Slanted Ejector

T-Guide Bar for Slanted Ejector



Aruncator inclinat Slanted ejector	adekvat pentru racordul U suitable for U-coupling	adekvat pentru bara de ghidare T suitable for T-guide bar
S6370/ ...	S6374/ 22	S6376/ ...
S6371/ ... (R = .250)	S6375/ 50	S6377/ 50 ...
S6371/ ... (R = .406)	S6375/ 87	S6377/ 87 ...
S6371/ ... (R = .875)	S6375/ 175	S6377/ 175 ...
S6372/ ...	S6374/ 22	S6376/ ...
S6373/ ... (R = .250)	S6375/ 50	S6377/ 50 ...
S6373/ ... (R = .406)	S6375/ 87	S6377/ 87 ...
S6373/ ... (R = .875)	S6375/ 175	S6377/ 175 ...

**Aruncator inclinat,  
Forma patrata**

**Slanted Ejector,  
Square Design**

**S6370/ ... (CBMM ...)**

**Dimensiuni metrice**

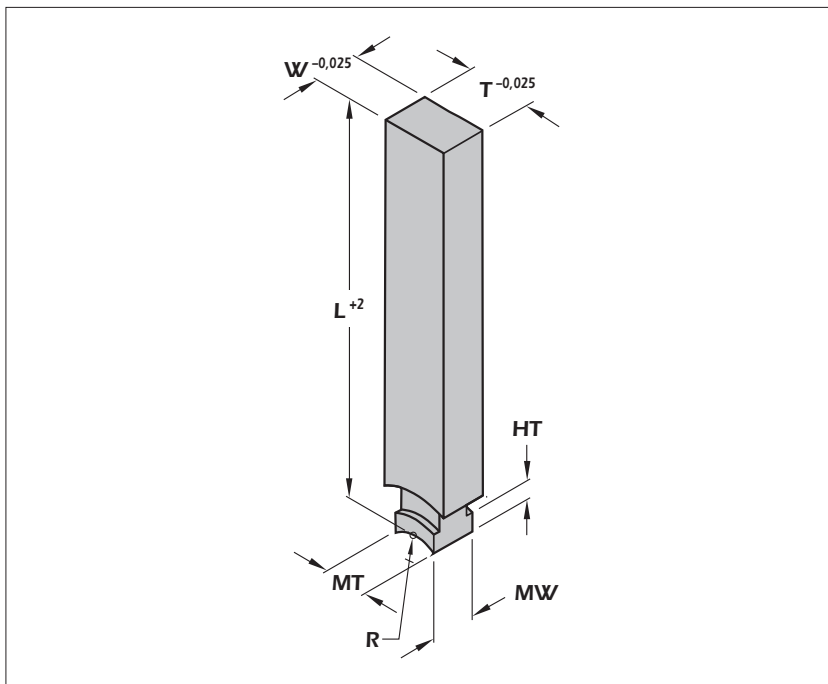
Material: 1.2344  
Duritate: 38 - 42 HRc

Produse personalizate sunt disponibile la cerere.

**Metric dimensions**

Material: 1.2344  
Hardness: 38 - 42 HRc

Custom-made products are available on request.



MW	R	HT	T	W	L	MT min.	Nr. / No.
10	10	5	10,25	10,25	250	10	S6370/ 10x10x250
				20,25			10x20x250
			15,25	15,25	400	15	15x15x250
				30,25			15x30x400
			20,25	10,25	250		20x10x250
				20,25	400		20x20x400
			30,25	15,25			30x15x400