

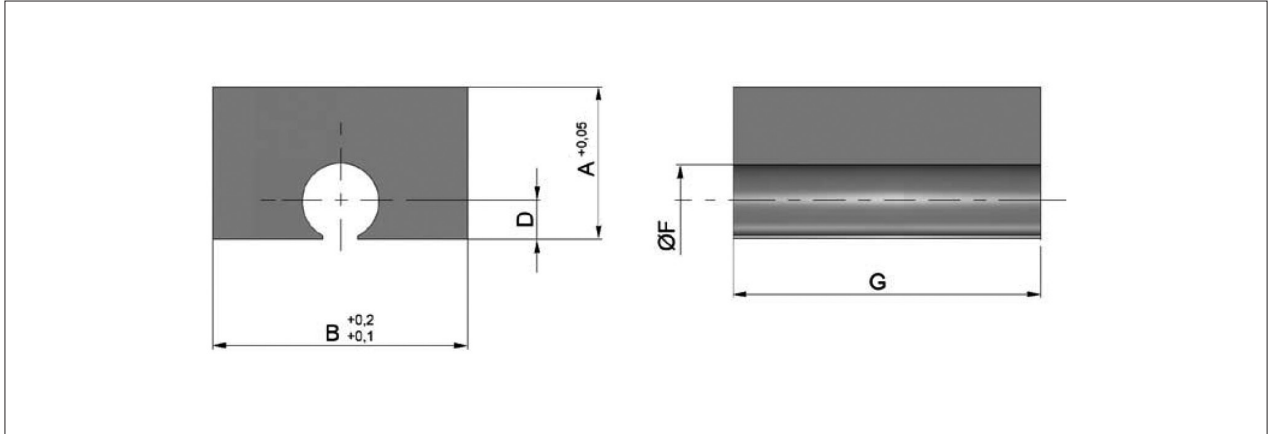
**Placa de baza a blocului de glisare,  
ghidare simpla**

**Slide Baseplate,  
Single Guiding**

**S6435/ ...**

Material/Duritate: 1.7225 / 800 N/mm<sup>2</sup>

Material/Hardness: 1.7225 / 800 N/mm<sup>2</sup>



A	B	D	F	G	Nr. / No.
18	40	6	12	48	S6435/ 60x20x80
	60				40x80

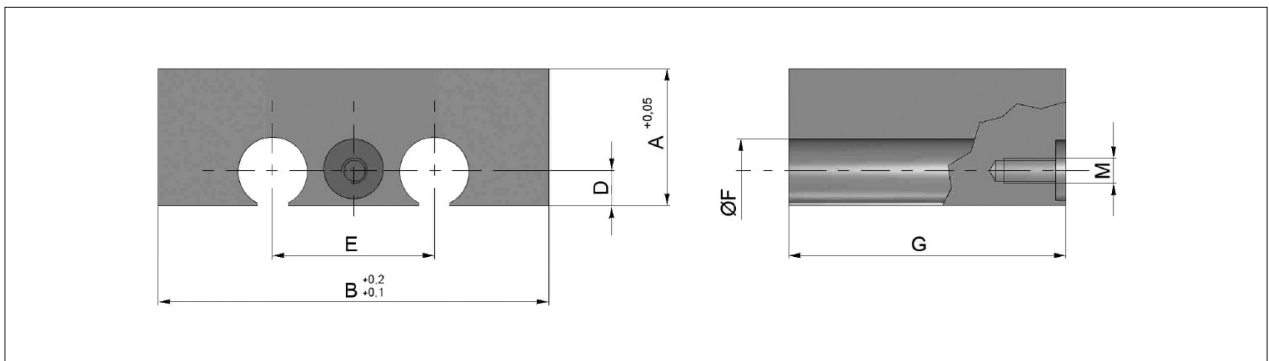
**Placa de baza a blocului de glisare,  
ghidare dubla**

**Slide Baseplate,  
Double Guiding**

**S6436/ ...**

Material/Duritate: 1.7225 / 800 N/mm<sup>2</sup>

Material/Hardness: 1.7225 / 800 N/mm<sup>2</sup>



A	B	D	E	F	G	M	Nr. / No.
18	80	6	30	12	48	M5	S6436/ 18x80x48
	100						100x48
	120						120x48
28	120	10	48	20	78	M8	S6436/ 28x120x78
	140						140x78
	160						160x78
	180						180x78
48	180	15	64	30	118	M10	S6436/ 48x180x118
	200						200x118
	220						220x118

Daca este necesar, latimea „B“ poate fi redusa uniform pe ambele parti.

If required, the width „B“ can be reduced evenly from both sides.