

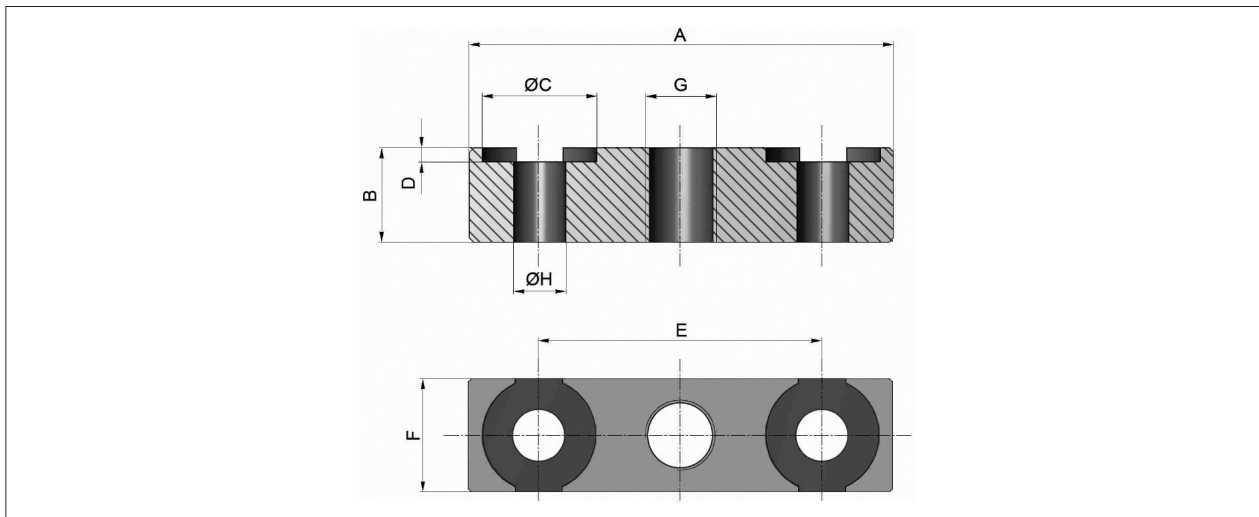
Clema de locatie

Spotting Bracket

S6444/ ...

Material/Duritate: 1.1191 / 750 N/mm²
 Adancime nitrura: 0,1 mm

Material/Hardness: 1.1191 / 750 N/mm²
 Nitriding depth: 0,1 mm



A	B	C	D	E	F	G	H	Nr. / No.
45	10	12	1,5	30	12	M8	5,5	S6444/ 45x10x12
75	15	20	2	48	20	M10	8,5	75x15x20
100	20	30	2,5	64	30	M12	10,5	100x20x30

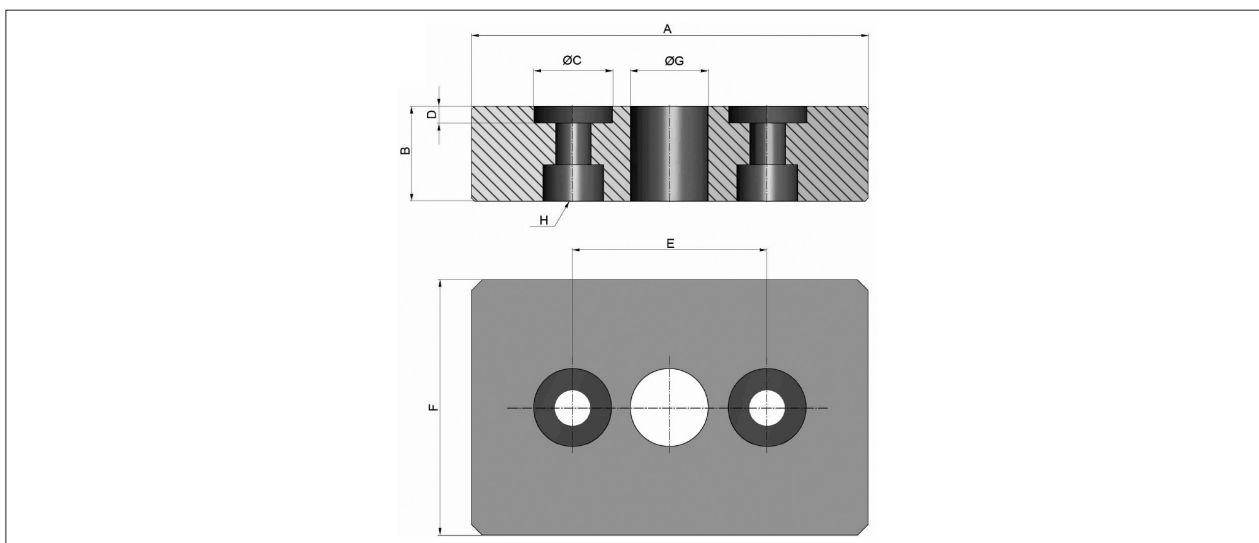
Flansa pentru cilindri hidraulici

Hydraulic Cylinder Flunge

S6445/ ...

Material/Duritate: 1.1191 / 750 N/mm²

Material/Hardness: 1.1191 / 750 N/mm²



A	B	C	D	E	F	G	H	Nr. / No.
120	30	20	5	48	80	20	M10	S6445/ 120x80x30
150	40	30	6	64	90		M12	150x90x40