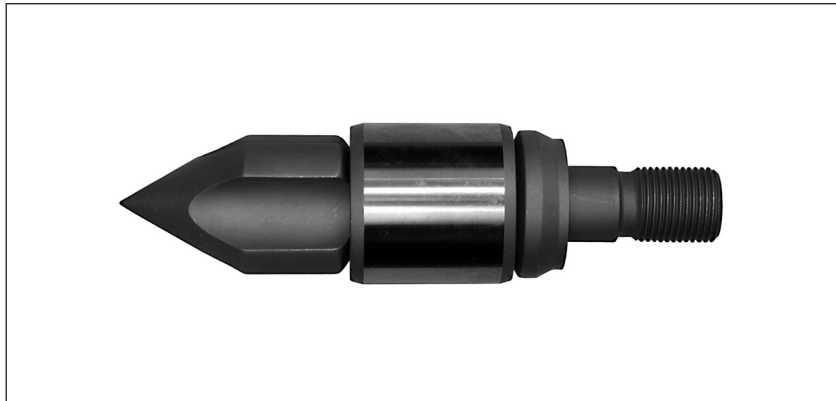


**Valva de retinere
pentru masini de injectie Klöckner****Non-return Valve
for Klöckner-Injection machines****S8130/ ...****Disponibile Ø:** 18, 25, 30, 35, 40, 45, 50, 55,
60, 70, 80, 90, 100 mm**Available Ø:** 18, 25, 30, 35, 40, 45, 50, 55,
60, 70, 80, 90, 100 mm

Nr. / No.
S8130/ ...

**Valva de retinere
pentru masini de injectie Krauss-Maffei****Non-return Valve
for Krauss-Maffei-Injection machines****S8135/ ...****Disponibile Ø:** 18, 25, 30, 35, 40, 45, 50, 55,
60, 65, 70, 80, 85, 90, 95, 100,
105, 110, 115, 120, 125, 130,
135 mm**Available Ø:** 18, 25, 30, 35, 40, 45, 50, 55,
60, 65, 70, 80, 85, 90, 95, 100,
105, 110, 115, 120, 125, 130,
135 mm

Nr. / No.
S8135/ ...

